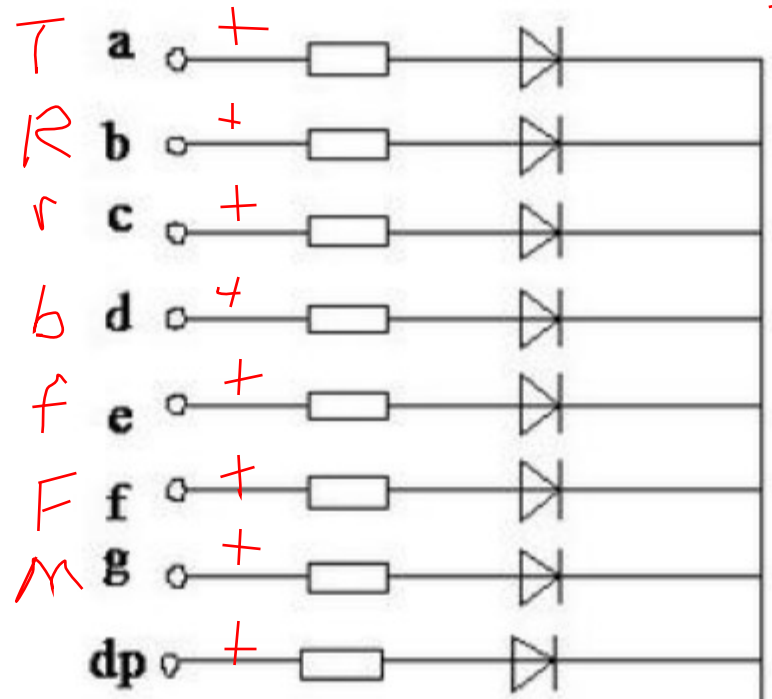
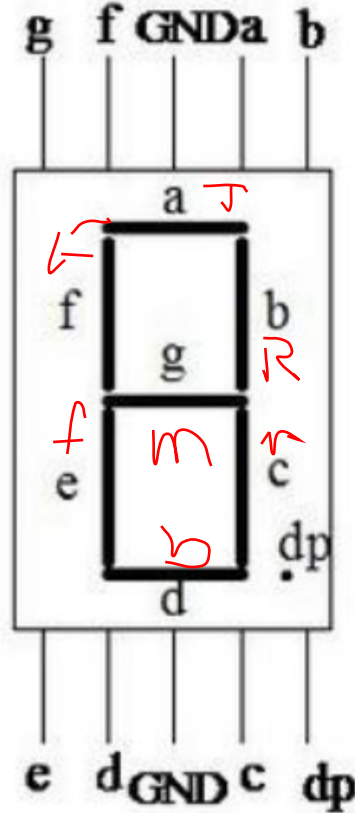


COMMON CATHODE SHOWN

MF TR Upper Case

THESE ARE THE COMMON PINS. For a common cathode these are GND, for a common anode these are +5vdc



Top
Right
right
bottom
left
left
middle

For a common cathode this pin is +5vdc. For the common anode this pin is GND.

fb (a) rd Lower Case

LABELS FOR ARDUINO SKETCH