

5mm LED RL5-R5015

SPECIFICATIONS

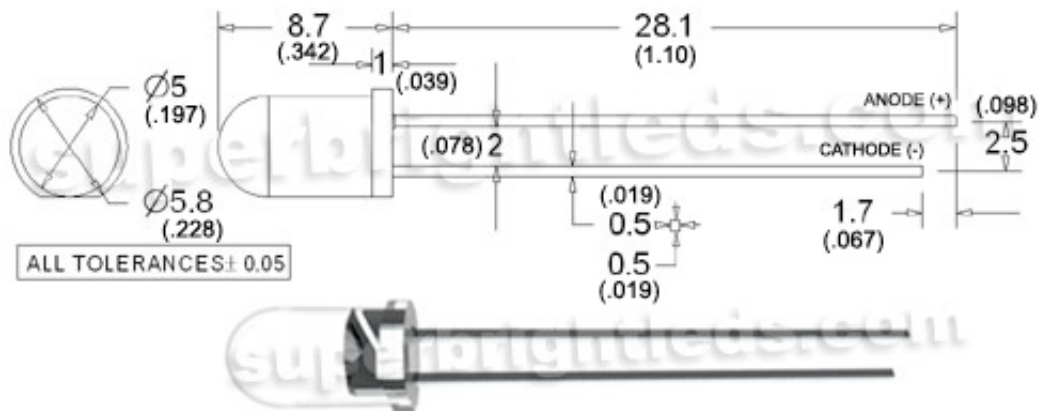
Part Number: RL5-R5015 - Super-Red LED (AlGaInP)

absolute maximum ratings: (TA=25°C)

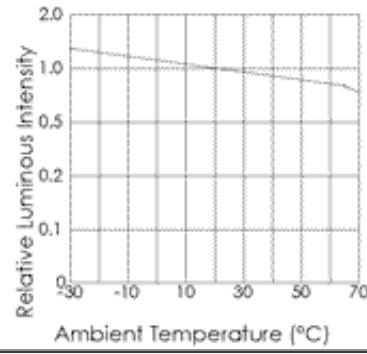
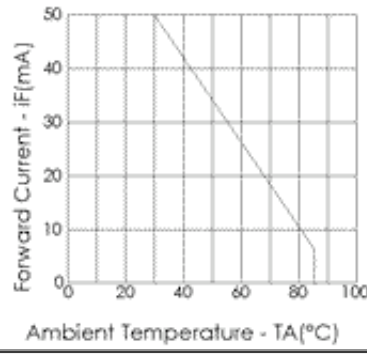
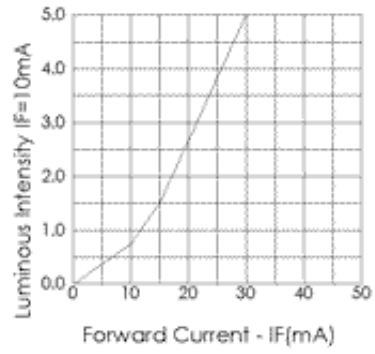
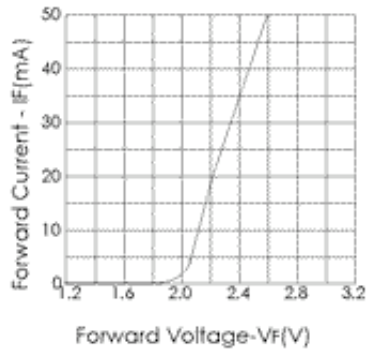
PARAMETER	SYMBOL	RATING	UNIT
Power Dissipation	PD	150	mW
Continuous Forward Current	IF	50	mA
Peak Forward Current (1/10th duty cycle, 0.1ms pulse width)	IFM	100	mA
Reverse Voltage	VR	5.0	V
Operating Temperature	TA	-25~+85	°C
Storage Temperature	TSTG	-40~+85	°C
Reverse Current (VR=5V)	IR	10	µa
Lead Soldering Temperature (3mm from body) 260C (for 3 seconds)			

optoelectric characteristics:

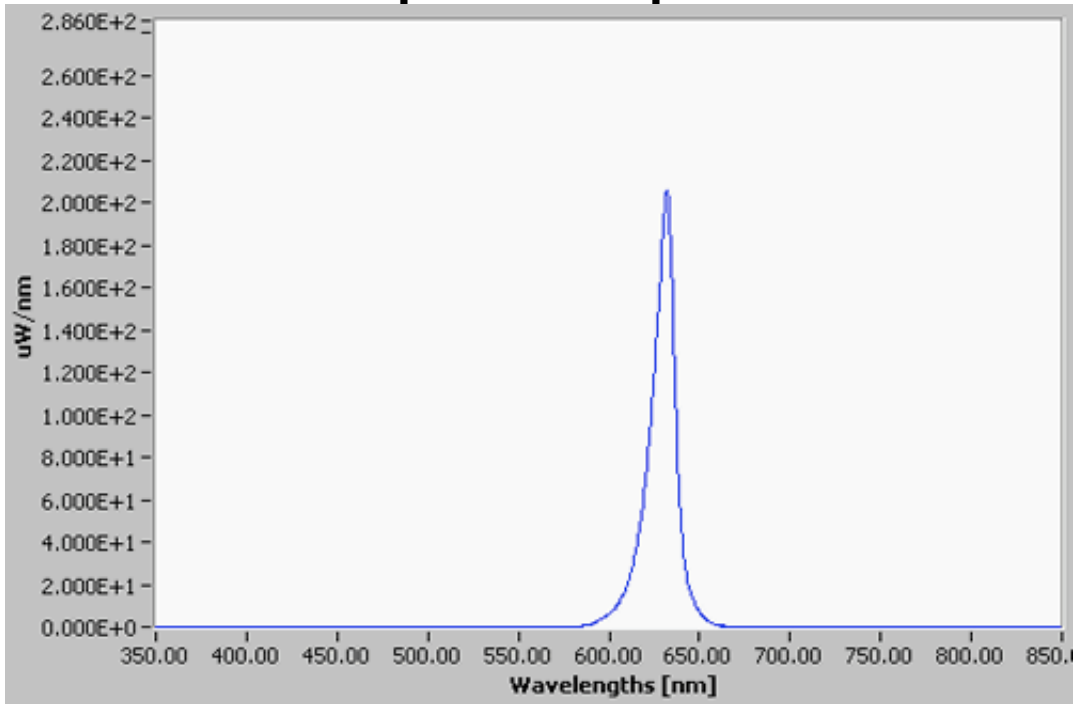
PARAMETER	SYMBOL	MAX	TYP	UNIT	TEST
View Angle of Half Power	2θ1/2	±3deg	15	Degree	
Forward Voltage	VF	2.5	2.0	V	IF=20mA
Peak Emission Wavelength	λP		631	nm	IF=20mA
Dominant Emission Wavelength	λD	±3nm	624	nm	IF=20mA
Spectral Line Half Width (FWHM)	DI		13.49	nm	IF=20mA
Luminous Intensity	IV	±20%	5000	mcd	IF=20mA



Dimensions in millimeters (inches)



Spectral Graph



5mm LED RL5-Y5615

SPECIFICATIONS

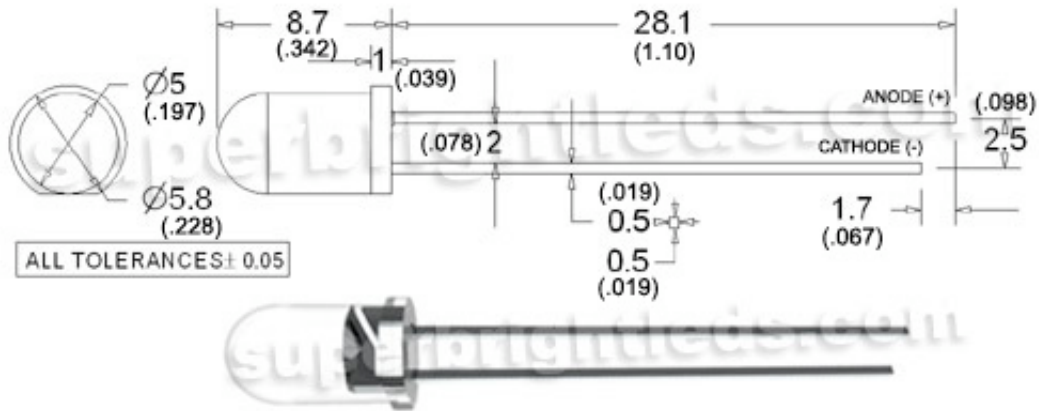
Part Number: RL5-Y5615 - Super-Yellow LED (AlGaInP)

absolute maximum ratings: (TA=25°C)

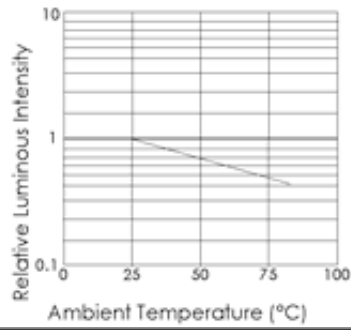
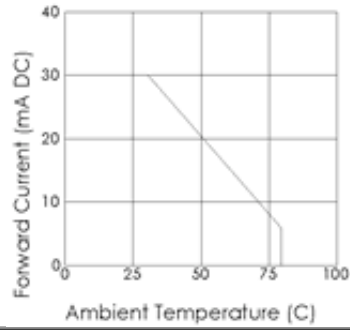
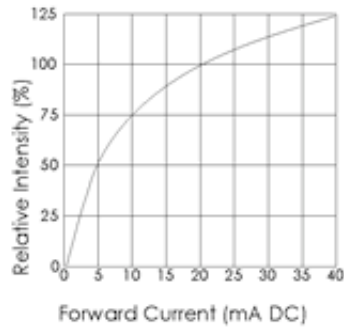
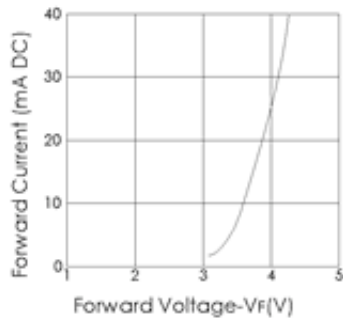
PARAMETER	SYMBOL	RATING	UNIT
Power Dissipation	PD	150	mW
Continuous Forward Current	IF	50	mA
Peak Forward Current (1/10th duty cycle, 0.1ms pulse width)	IFP	100	mA
Reverse Voltage	VR	5.0	V
Operating Temperature	TA	-25~+80	°C
Storage Temperature	TSTG	-40~+100	°C
Reverse Current (VR=5V)	IR	100	µa
Lead Soldering Temperature (3mm from body) 260C (for 3 seconds)			

optoelectric characteristics:

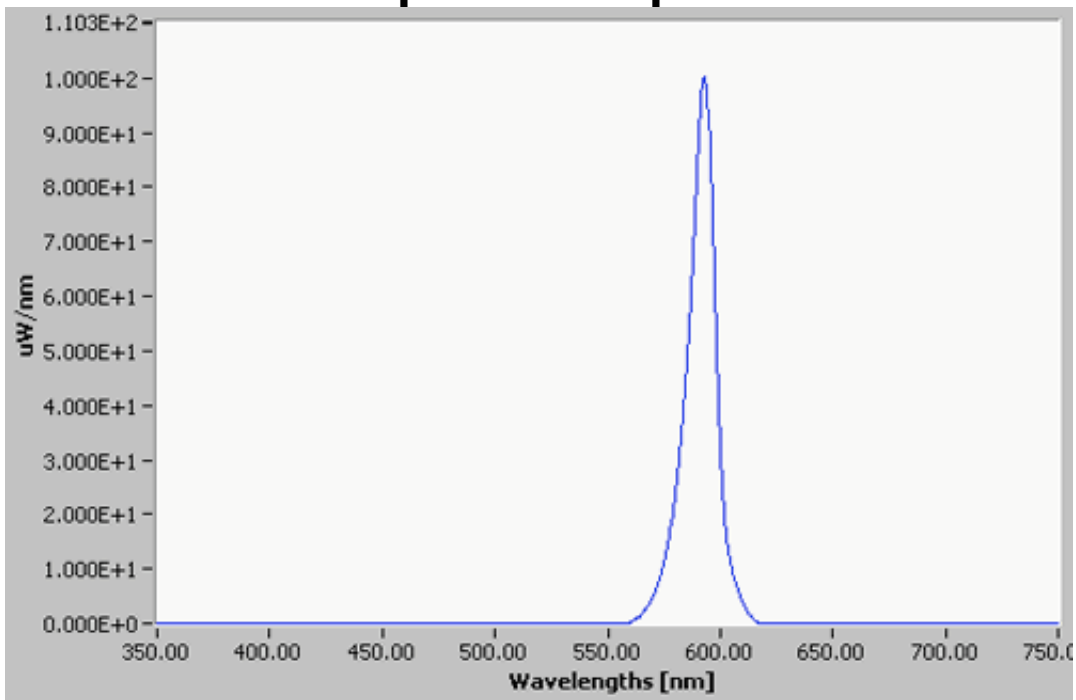
PARAMETER	SYMBOL	MAX	TYP	UNIT	TEST
View Angle of Half Power	2θ1/2	±3deg	15	Degree	
Forward Voltage	VF	2.5	2.0	V	IF=20mA
Peak Emission Wavelength	λ P		593	nm	IF=20mA
Dominant Emission Wavelength	λ D	±3nm	590	nm	IF=20mA
Spectral Line Half Width	DI		15	nm	IF=20mA
Luminous Intensity	IV	±20%	56000	mcd	IF=20mA



Dimensions in millimeters (inches)



Spectral Graph



5mm LED RL5-G8020

SPECIFICATIONS

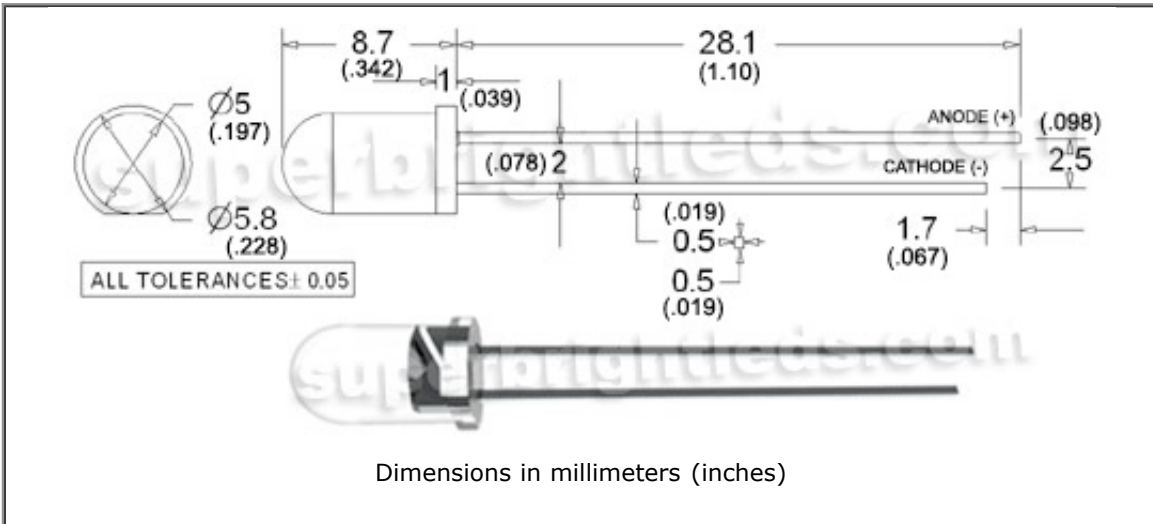
Part Number: RL5-G8020 - Super-Green LED (GaInN/GaN)

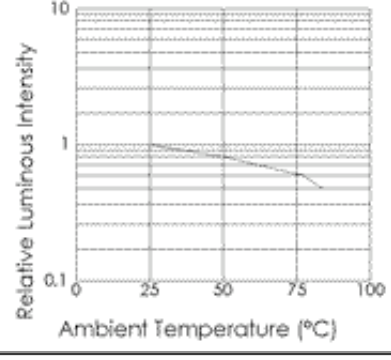
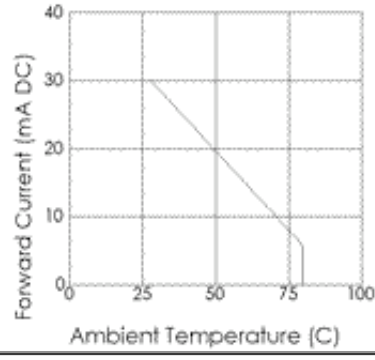
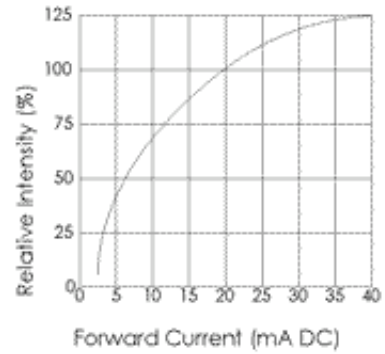
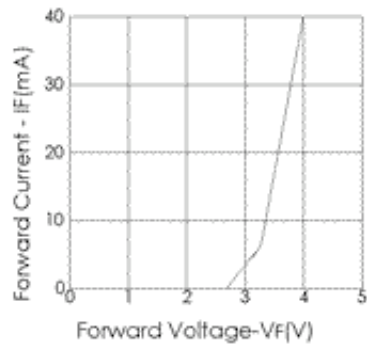
absolute maximum ratings: (TA=25°C)

PARAMETER	SYMBOL	RATING	UNIT
Power Dissipation	PD	100	mW
Continuous Forward Current	IF	20	mA
Peak Forward Current (1/10th duty cycle, 0.1ms pulse width)	IFM	50	mA
Reverse Voltage	VR	5	V
Operating Temperature	TA	-40~+85	°C
Storage Temperature	TSTG	-40~+85	°C
Reverse Current (VR=5V)	IR	10	µa
Lead Soldering Temperature (3mm from body) 260C (for 3 seconds)			

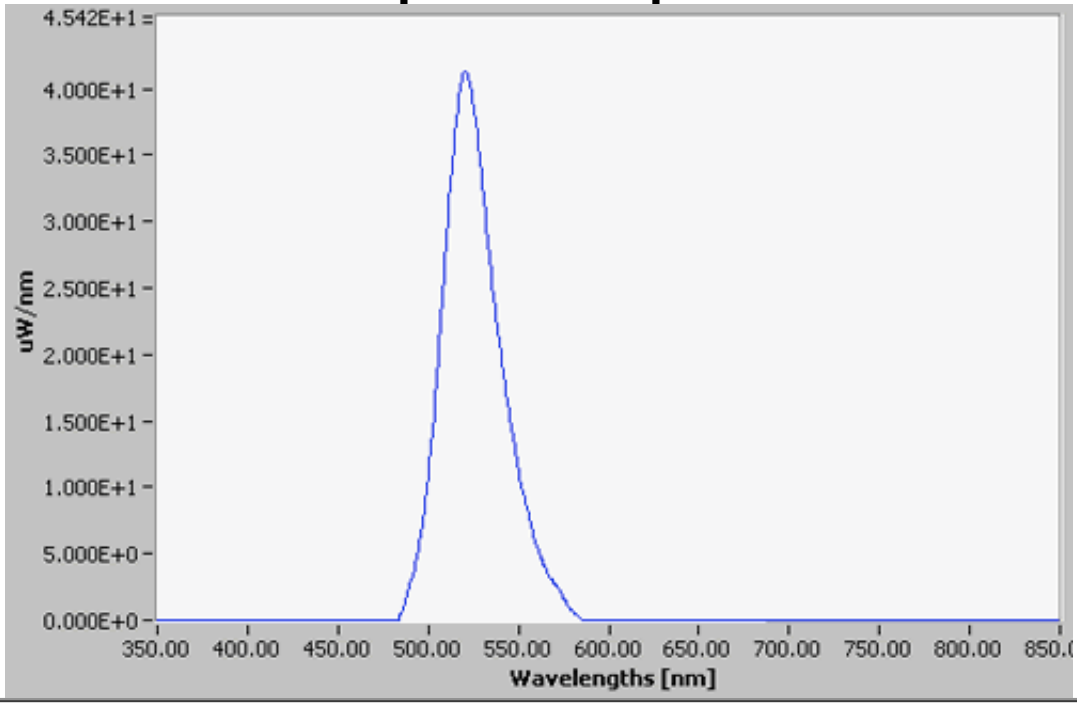
optoelectric characteristics:

PARAMETER	SYMBOL	MAX	TYP	UNIT	TEST
View Angle of Half Power	2θ1/2		20	Degree	
Forward Voltage	VF	4.0	3.6	V	IF=20mA
Peak Emission Wavelength	λP		525	nm	
Luminous Intensity	IV		8000	mcd	IF=20mA





Spectral Graph



5mm LED RL5-B5515

SPECIFICATIONS

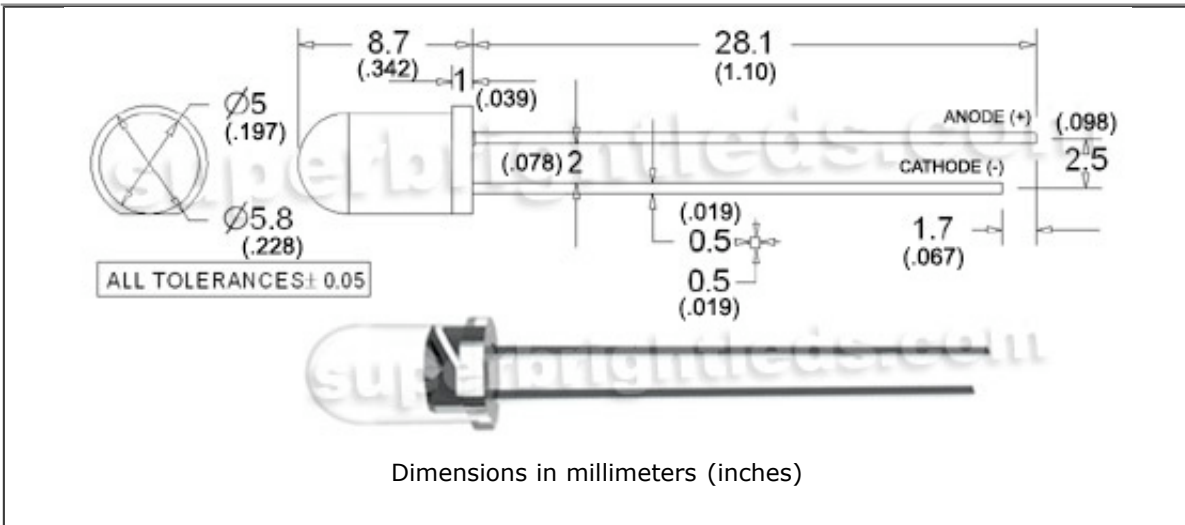
Part Number: RL5-B5515 - Super-Blue LED (GaN)

absolute maximum ratings: (TA=25°C)

PARAMETER	SYMBOL	RATING	UNIT
Power Dissipation	PD	120	mW
Continuous Forward Current	IF	20	mA
Peak Forward Current (1/10th duty cycle, 0.1ms pulse width)	IFM	50	mA
Reverse Voltage	VR	5	V
Operating Temperature	TA	-40~+85	°C
Storage Temperature	TSTG	-40~+85	°C
Reverse Current (VR=5V)	IR	10	µa
Lead Soldering Temperature (3mm from body) 260C (for 3 seconds)			

optoelectric characteristics:

PARAMETER	SYMBOL	MAX	TYP	UNIT	TEST
View Angle of Half Power	2θ1/2		30	Degree	
Forward Voltage	VF	4.0	3.5	V	IF=20mA
Dominant Wavelength	λD		467	nm	IF=20mA
Full Width at half Max	FWHM		25.46	nm	IF=20mA
Luminous Intensity	IV		5500	mcd	IF=20mA



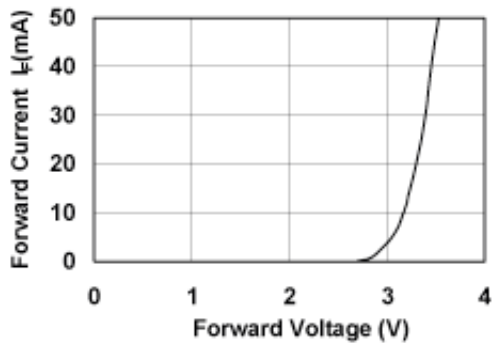


FIG1. FORWARD CURRENT VS. FORWARD VOLTAGE

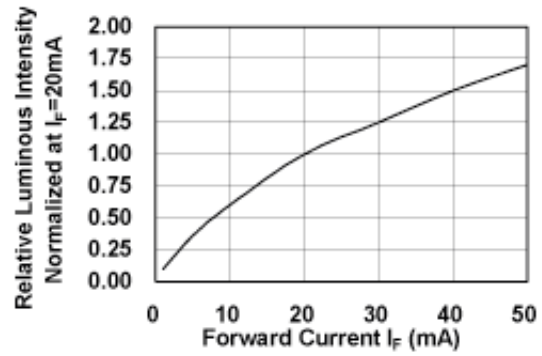


FIG2. RELATIVE LUMINOUS INTENSITY VS. FORWARD CURRENT

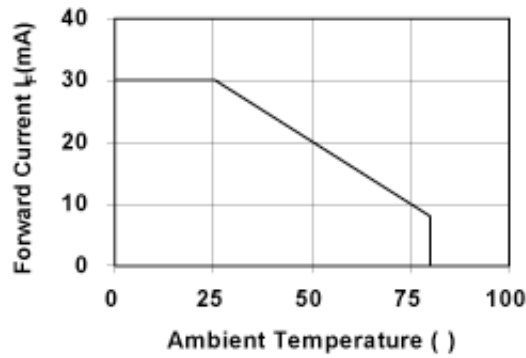


FIG3-27. FORWARD CURRENT VS. AMBIENT TEMPERATURE

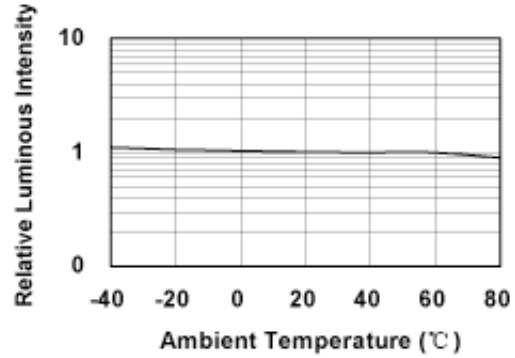
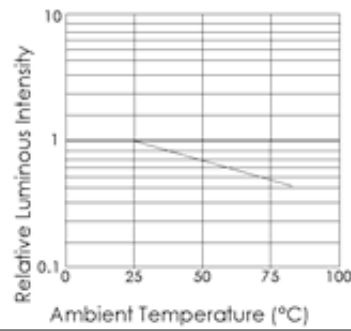
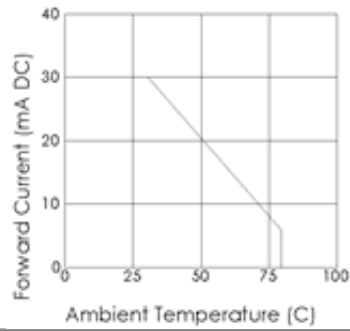


FIG4. LUMINOUS INTENSITY VS. AMBIENT TEMPERATURE



Spectral Graph

